

# STANLEY®

## POOL CLEANER

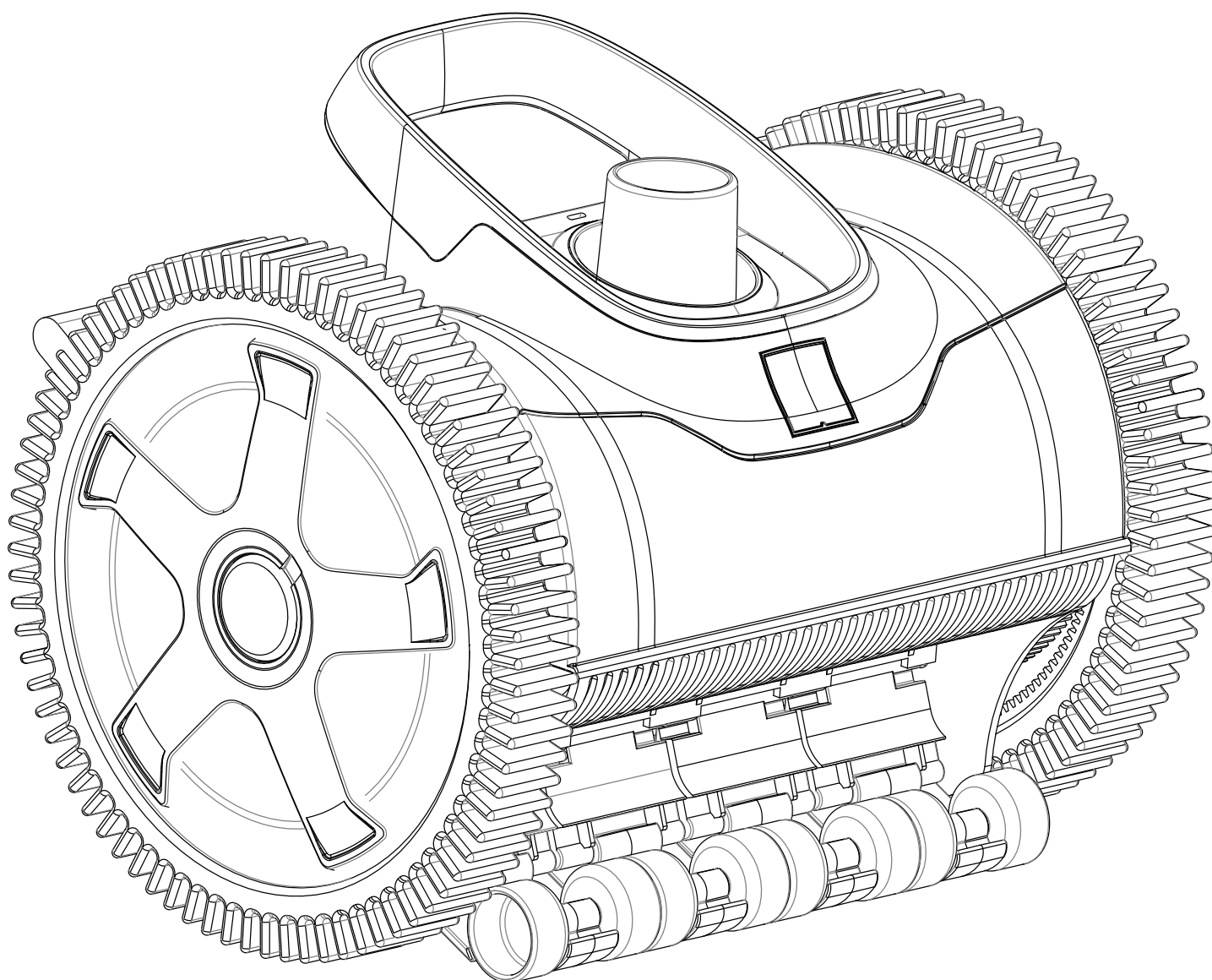
---

### Owners manual

### 2 Wheel

### Suction-Side Poolcleaner

---



Distributed in Australia and New Zealand by  
LINCOLN POOL EQUIPMENT  
[www.linc.com.au](http://www.linc.com.au)

# STANLEY®

## POOL CLEANER

## FEATURES

---

### SELF ADJUSTING TURBINE VANES

The cleaner has the patented self-adjusting turbines, which maximises the power from the water flow. This turbine is similar to a paddle wheel with blades that are adjustable. This feature allows the cleaner to still move at low suction and low pressure. In addition the folding vanes of the turbine allow for the easy passage of larger debris through the cleaner.

### STEERING SYSTEM

The 2x Suction cleaner has an internal programmed steering system, that causes the left wheel to periodically reverse, allowing the cleaner to turn and then move into another direction. For the 2x Suction cleaner, there are five different programmed turns ranging from 90 to 450 degrees. This feature allows the cleaner to cover not only the deep end, but also the shallow end.

This steering system allows for the 2x Suction cleaner to travel 2.4 metres - 3.0 metres before it turns. The cleaner cleans more in the shallow end than any other cleaner. The cleaner has no problem with uneven surfaces or strange shapes. It won't stick in a corner, or get hung up by a main drain.

### ROBUST TYRE TREADS

The patented tyre treads give the cleaner better climbing ability and obstacle maneuverability.

The tyres come with tread wear markers that show you when to replace your tires. The tyres of the cleaner have humps (raised treads) that allow the cleaner to overcome any reasonable obstacles such as the main drain and uneven surfaces. This makes the Cleaner ideal for all pool surfaces and shapes.

### SELF-CLEANING SWIVEL

This is a feature that allows the cleaner to turn freely without interference from the hose due to debris buildup in the swivel hose cone. By self-cleaning, the swivel prevents the hose from coiling. (Note: Sometimes with severe debris one needs to hold it under a water faucet for cleaning).

### WALL CLIMBING

Cleaner will only climb walls on pools with sufficient floor to wall radius.

### PATENTED ADJUSTABLE SKIRTS

The cleaner has patented adjustable skirts that allow the cleaner to maintain optimal suction under the machine even when it encounters obstacles. When the Cleaner encounters an obstacle one (or more) of the skirts will lift up (adjust) over the obstacle while maintaining suction under the cleaner.

## SAFETY FACTS

---

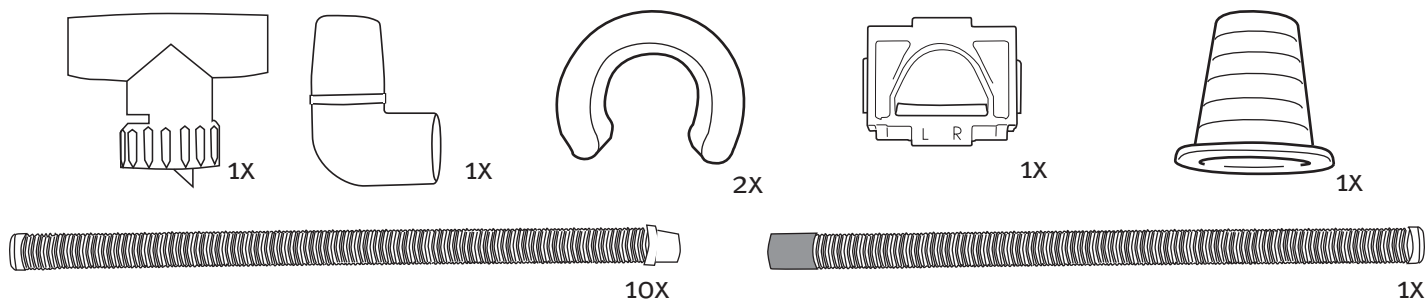
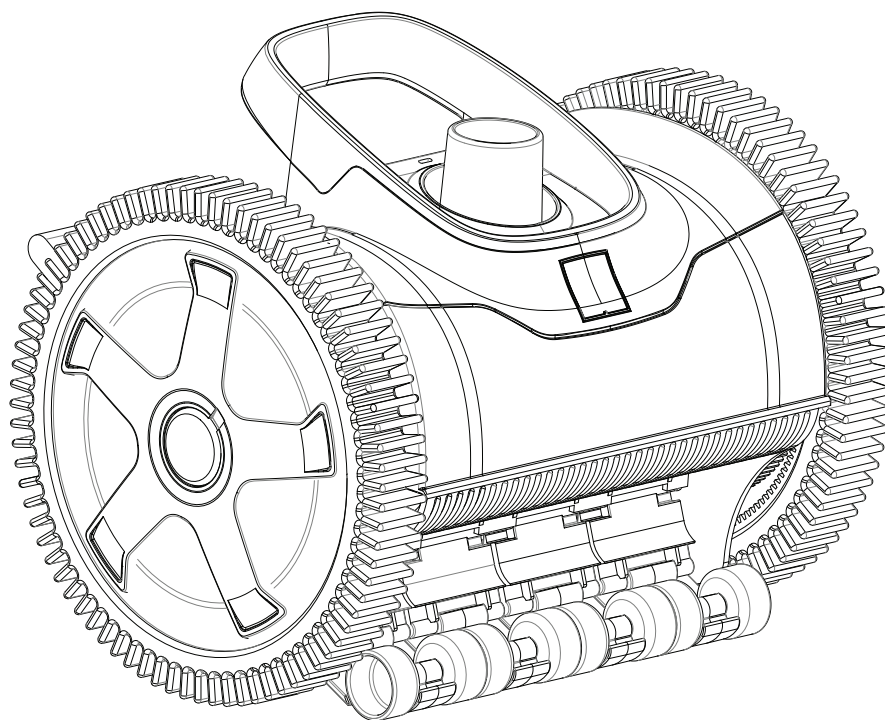
- **DO NOT** use to remove large debris in new pools.
- **REMOVE** the cleaner before chemically shocking your pool.
- **DO NOT** swim with cleaner
- Store the cleaner in a shaded safe area.
- Hoses must be stored straight. **DO NOT** coil the hoses.
- Keep away from children and pets.
- **REMOVE** cleaner when performing backwash.
- **REMEMBER SAFETY FIRST**

# STANLEY®

## POOL CLEANER

## PARTS

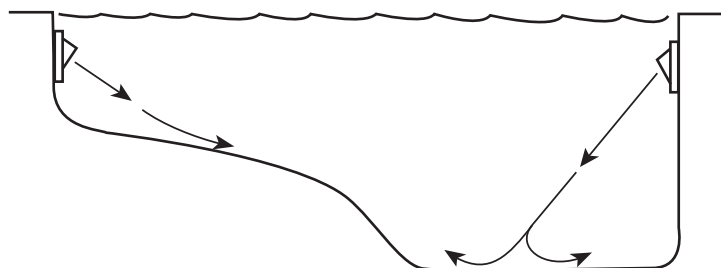
2 wheel model



## Installing the Cleaner

### STEP 1; preparing your pool.

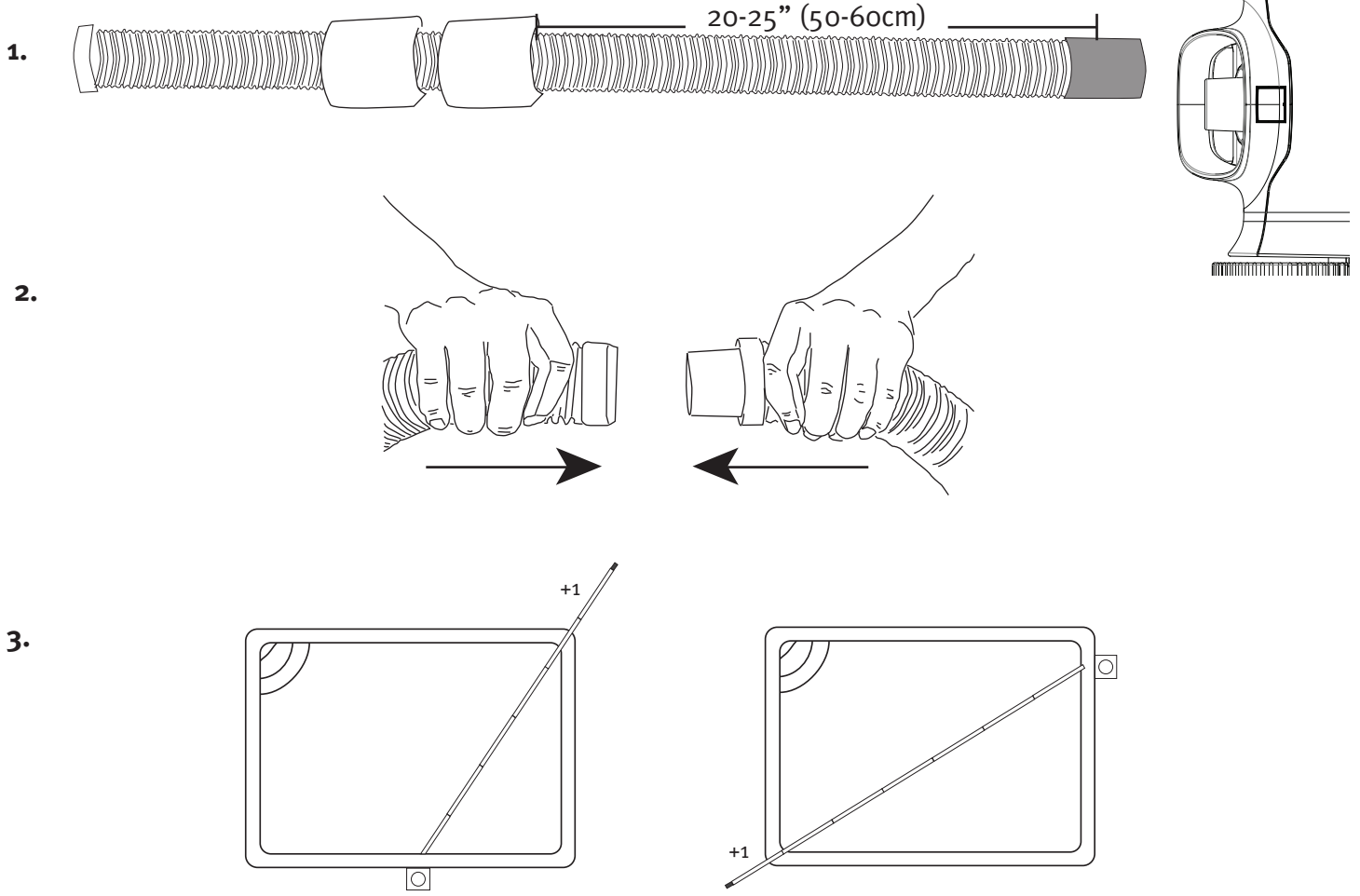
1. Manually remove very large and excessive debris from pool (ie. post storm, spring cleaning/pool opening situations).
2. Perform a backwash, clean your filter, skimmer baskets and pump basket.
3. Make sure your chemical balance is correct. If not, now is the time to correct it. If you chemically shock the pool, wait a day or two before continuing.
4. Point all your return fittings downward.



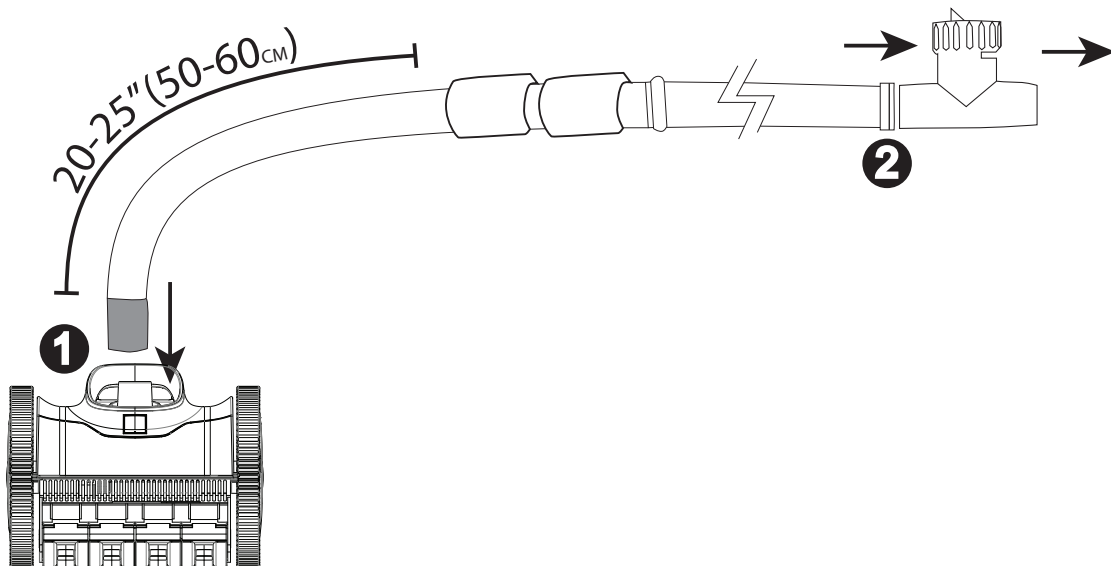
# STANLEY®

## POOL CLEANER

### STEP 2; connecting the hoses.



### STEP 3; attaching the cleaner.

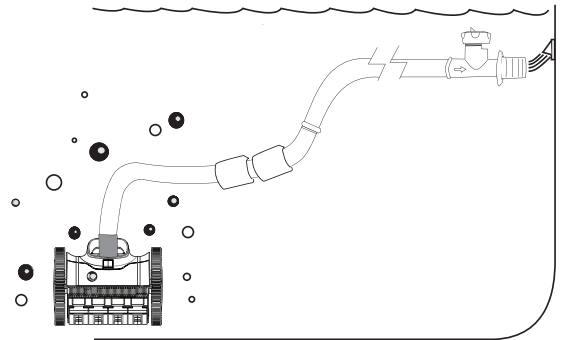


# STANLEY®

## POOL CLEANER

### STEP 4; submerging the cleaner.

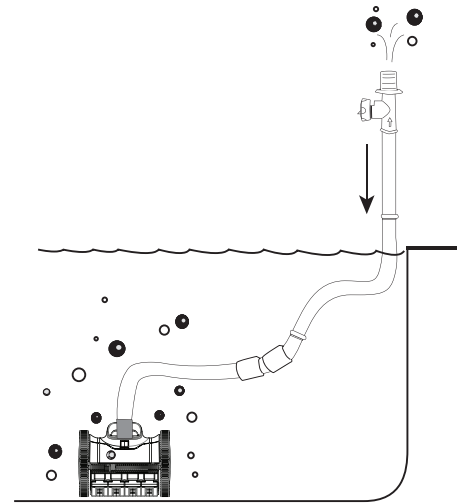
Lower the cleaner into the water. While your pump is running, take the end of the hose with the Adjustable Regulator Valve (if you need it) and hold it against one of the return fittings to expunge all of the air in the hose and the cleaner.



OR

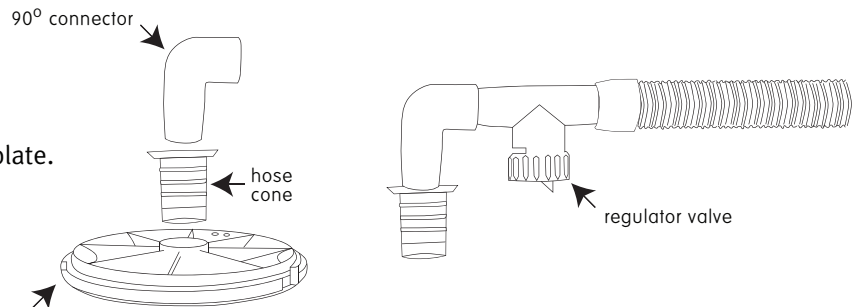
With the pump turned off, lower the cleaner and then vertically push the hose down into the water until the hose is completely filled with water.

**YOU DO NOT WANT ANY AIR TO REMAIN IN THE HOSE AND THE CLEANER!!**



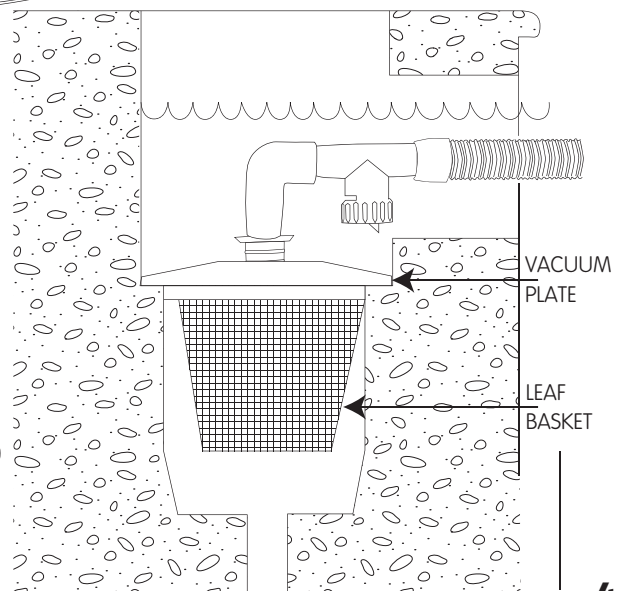
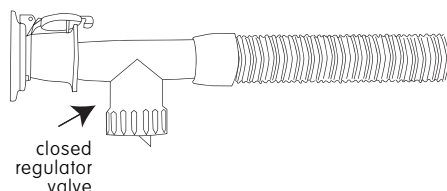
### STEP 5; connecting to suction.

1. Install the vacuum plate into the skimmer box (this is the plate that the vacuum hose plugs into when manually vacuuming).
2. Place the hose cone into the hole in the vacuum plate.
3. Place the 90° connector into the hose cone.
4. Connect the regulator valve to the end of the vacuum hose, ensuring that the arrow on top of the regulator valve is pointing away from the pool, i.e. the direction of water flow.
5. Connect the regulator valve to the 90 degree connector.
6. Turn on the pool pump. The PoolCleaner™ is now ready to be adjusted for the correct speed.



#### NOTE

If the pool has a dedicated wall suction point (as shown below), insert the hose cone into the wall suction fitting, then attach the regulator valve and vacuum hose. Close off the regulator valve and adjust the cleaner speed via the 3 way valve on the pool plumbing.



# STANLEY®

## POOL CLEANER

---

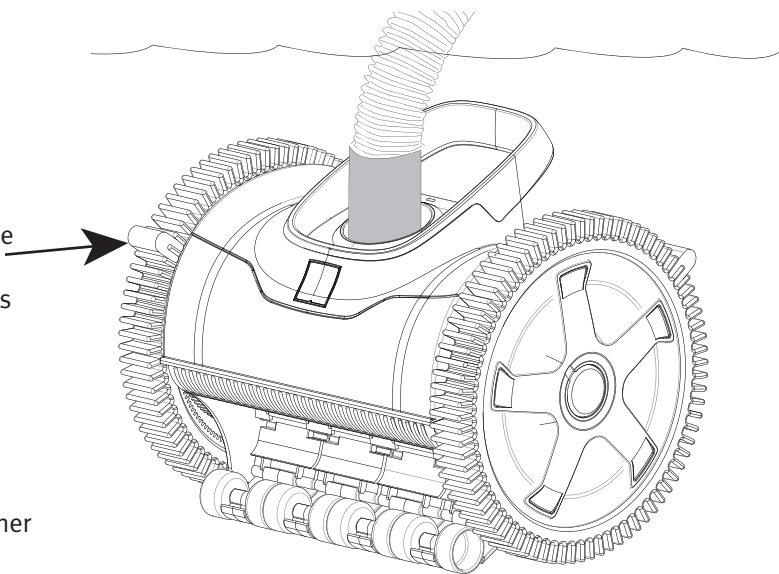
### STEP 6; adjusting the cleaner.

**ADJUSTING WHEEL RPM:** For the cleaner to run optimally the revolutions per minute (RPMs) should be between 11 and 14 (Note it will still clean as low as 8 RPM but will NOT climb walls).

While the cleaner is running take it by the leader hose so that the cleaner is just below the water. (KEEP THE CLEANER BELOW THE WATER LEVEL or else it will suck air). Now count the number of revolutions made per minute by the RIGHT FRONT WHEEL by using the hump (raised treads) as your marker. If it is between 11 and 14 RPM you are done.

If your cleaner RPMs are not within the range there are two ways to adjust it.

NOTE: This is equivalent to 7 to 10 inches of mercury on a vacuum gauge. A vacuum gauge is NOT included with the cleaner but is available at your local pool store.



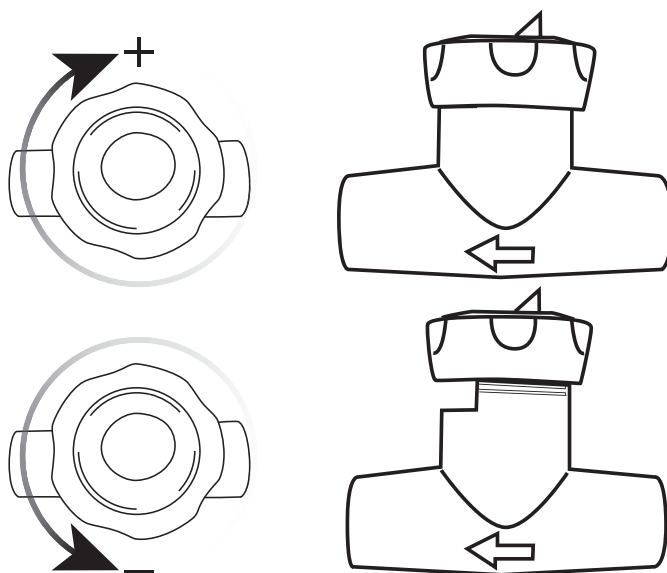
---

This valve regulates the suction so that the Cleaner does not exceed the optimal 11-14 RPM (revolutions per minute). It does so by opening to bypass water when necessary. This will ensure the best possible performance from your cleaner.

#### 1. ADJUSTING THE BYPASS VALVE:

Screwing the top in you will bypass less water, increasing the RPM (speed). If it is all the way in and you still are below 11 RPM adjust the 3-way valve for more suction and/or clean the filter. Remove the valve.

Screwing the top out you will bypass more, decreasing the RPM (speed). If it is screwed all the way out and you still are above 14 RPM adjust the 3-way valve to give less suction. Note: If the line you are hooked to (skimmer or inlet) has a 3-way valve or ball valve you may have to adjust the 3-way valve or ball valve even if you are using the regulator valve.



#### 2. ADJUSTING SUCTION FLOW:

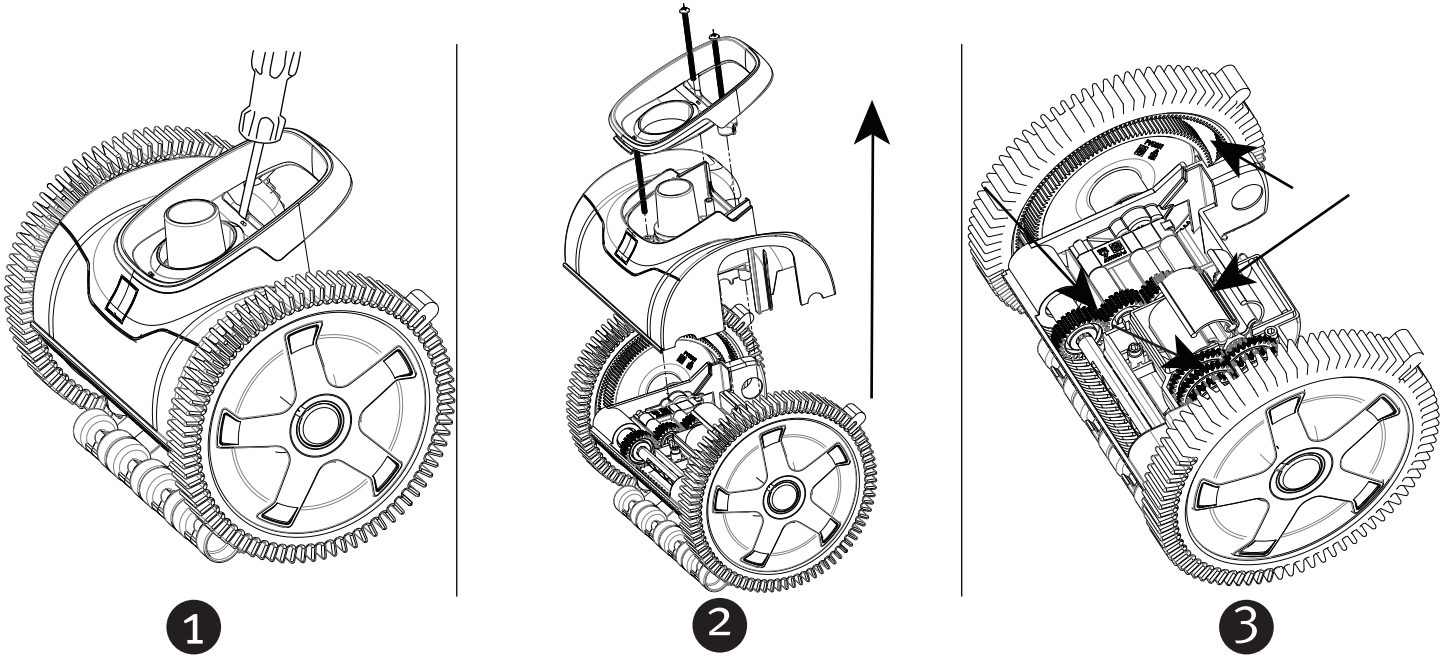
Adjust the amount of flow from the suction line/skimmer line to obtain the proper flow.



# STANLEY® POOL CLEANER

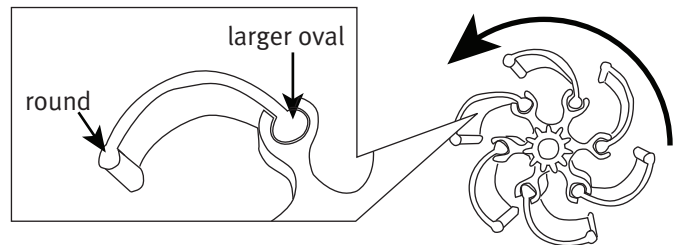
## Servicing the Cleaner

### Removal of Obstructions



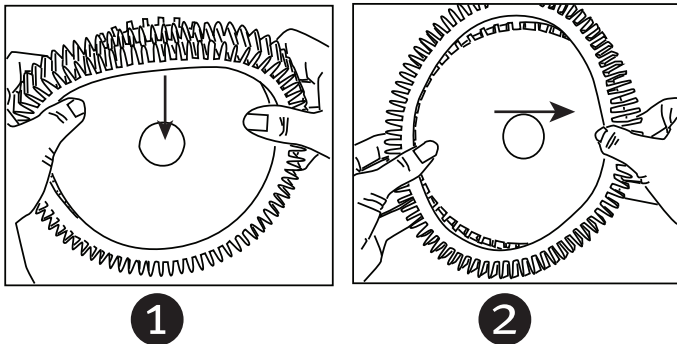
### Turbine Vanes/Blades

The turbine vanes have to be placed in the turbine hub in a certain direction. We use the following mnemonic the turbine vanes are like “a wave breaking” toward the front of the cleaner. In the front of the unit the vanes are convex (like a mountain) in the back they are concave (like a valley). NOTE: The large elliptical end of the vanes is placed into the turbine.



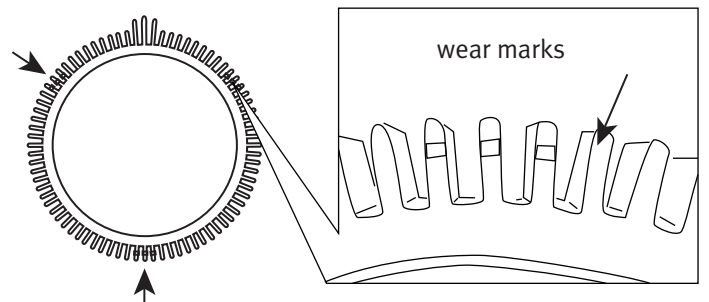
### Tyres

Removal and Replacement:



**Wear Marks:**

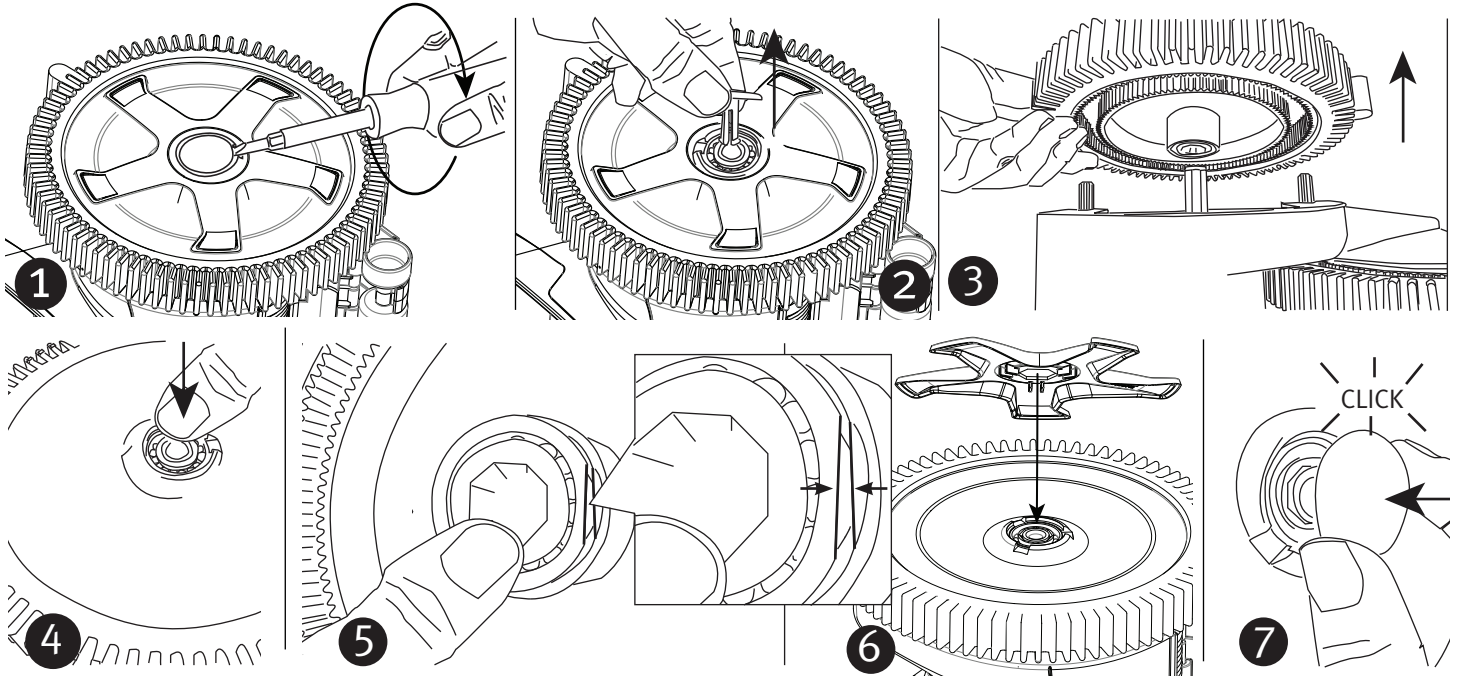
The tyres must be replaced when they are worn down to the tread wear indicators. Note: if you can't see them you are worn past them.



**USING CLEANER WITH  
WORN TYRES MAY DAMAGE  
POOL SURFACE OR TRIM!**

# STANLEY® POOL CLEANER

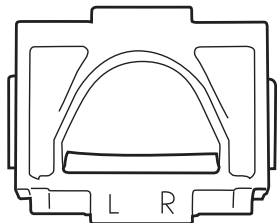
## Wheel or Bearing Removal & Replacement



When the unit is reassembled turn the right front wheel (looking from behind) and make sure everything turns smoothly.

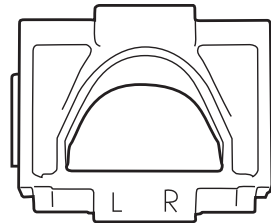
## Skirt and Inlet Removal & Replacement

**Inlet Sizes:**



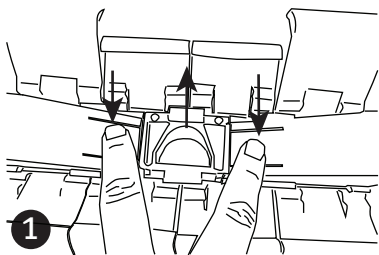
**Small\***

small pump/variable speed  
low flow

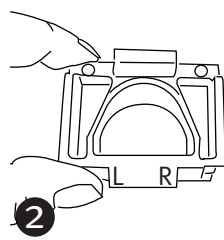


**Standard**

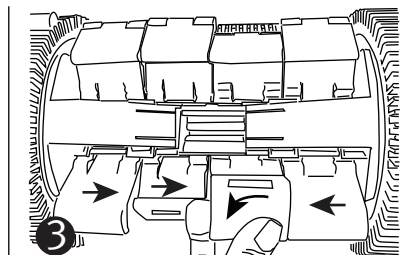
average pump  
normal flow



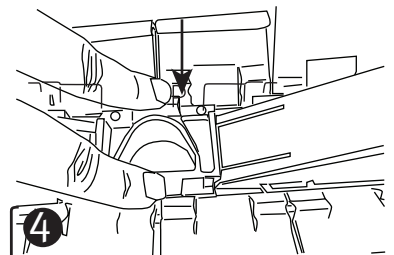
1 Turn the unit upside down and press with both fingers on both sides of the inlet. While pushing down pull up on the inlet.



2 Remove the inlet.



3 Once the inlet is removed you can remove any debris that is in the turbine chamber. You can also remove and replace the skirt/bracket assemblies. One of the middle skirt/brackets can be easily pulled out. Once one assembly is out you can slide the others out easily to replace.



4 Once any debris has been removed or the skirts have been replaced, replace the inlet. Note it can only be inserted in one direction and once it is in, it should clip on both sides. Note: if it does not clip in then you have it the wrong way around (it is marked L and R).

\*Low flow applications may affect cleaners ability to climb walls.



# STANLEY®

## POOL CLEANER

## Troubleshooting

**ALWAYS TURN OFF THE SYSTEM  
BEFORE PERFORMING ANY REPAIRS.**

Problem	Solution
Cleaner doesn't move or moves too slow.	<ul style="list-style-type: none"> <li>•Check wheel RPM.</li> <li>•Obstruction in the cleaner itself. If there was an obstruction make sure vanes are replaced correctly.</li> <li>•The pump may be turned off or on low speed.</li> <li>•The pump may not be primed. Check for leaks in the system (symptoms--bubbles from the returns?) Possible other problem or obstruction in the system. Pump impeller blocked? Filter needs backwashing. Clean pump basket, skimmers.</li> <li>•Turbine vanes/blades in wrong direction and/or wrong side.</li> <li>•Problem or obstruction in the system.</li> <li>•Obstruction in the cleaner itself.</li> <li>•Low wheel RPM (insufficient flow).</li> </ul>
The right wheel will not turn when rotated by hand. (looking from behind)	<ul style="list-style-type: none"> <li>•Obstruction in the cleaner itself.</li> </ul>
The right wheel skips teeth when rotated forward by hand. (looking from behind)	<ul style="list-style-type: none"> <li>•Wheel hub or right drive gear worn/damaged.</li> </ul>
The loops in the hoses won't come out.	<ul style="list-style-type: none"> <li>•The hoses have been stored in a coiled position. Lay them straight in the sunlight.</li> <li>•Clean swivel on cleaner head by running it under a tap.</li> <li>•Leaf canister, it may be in the wrong place or not floating.</li> </ul>
The cleaner turns in circles, it wont go straight at all.	<ul style="list-style-type: none"> <li>•Wheel hub and/or large drive gear and/or steering slide assembly and/or right drive gear are worn or damaged.</li> </ul>
The cleaner does not clean the entire pool.	<ul style="list-style-type: none"> <li>•The hose is too short.</li> <li>•The float(s) may be in the wrong position. Should be 50-60 centimetres from cleaner head.</li> <li>•The Hose Cone Swivel (on the turbine cover) may be dirty.</li> <li>•The return fittings may be pushing the cleaner hoses away. Point them down.</li> </ul>
The cleaner climbs the wall too much or climbs out.	<ul style="list-style-type: none"> <li>•The tire treads and skirts may be worn down.</li> <li>•Too much suction or flow.</li> <li>•You are not using the Bypass Valve (if hook up is in skimmer).</li> <li>•Auto skim plate/vac plate needs adjustment.</li> </ul>
The cleaner won't climb the wall.	<ul style="list-style-type: none"> <li>•Too little suction or flow.</li> <li>•Float may be in the wrong position.</li> </ul>
When the pump turns off the hoses pop out of the skimmer or suction inlet.	<ul style="list-style-type: none"> <li>•Make sure hose cone is properly placed into inlet/port/water gate.</li> <li>•Air in system. When pump shuts off air goes path of least resistance and pops out the hose. Fix air leak.</li> </ul>
Wheels are wobbly.	<ul style="list-style-type: none"> <li>•Bearings are worn please replace.</li> </ul>
The cleaner falls on its side and takes too long to recover.	<ul style="list-style-type: none"> <li>•The float(s) may be in the wrong position or missing.</li> <li>•The hose is too short.</li> <li>•The return fittings may be pushing the cleaner hoses away.</li> <li>•Check wheel RPM.</li> </ul>
Turbine vanes /blades pop out of turbine.	<ul style="list-style-type: none"> <li>•Wrong side of vane in the turbine hub. Large oval side should be in turbine.</li> <li>•Turbine hub possibly worn.</li> </ul>

# STANLEY®

## POOL CLEANER

## Warranty

### **The Three Year Comprehensive Warranty**

Hartford Pines Pty Ltd (ACN 080 687 734) trading as Lincoln Pool Equipment ([www.linc.com.au](http://www.linc.com.au)) warrants to the purchaser of the PoolCleaner (the product) that if any part thereof proves to be defective in workmanship or material in normal domestic use within three (3) years from date of original purchase, such defective part will be replaced free of charge.

This warranty excludes damage caused by misuse contrary to the operating instructions, neglect, shipping, accident or normal wear and tear. Warranty for the product in commercial use is limited to 6 months. A charge will be made for service outside the warranty period.

The warranty does not cover the cost of transport to and from the retailer or the nearest Lincoln Service Centre. Proof of Purchase must be retained for all warranty claims.

The rights and remedies conferred by this warranty are in addition to those conferred under the Australian Consumer Law.

### **The Three-Year Pro Rated Extended Warranty**

In addition to its 3 year comprehensive warranty above, Hartford Pines Pty Ltd further warrants the Product's parts, excluding hoses and tyres, will have an operative life of 6 years from the date of purchase when used in accordance with the storage, installation, operation, and maintenance procedures prescribed in the operating instructions provided by us.

If it is found that the Product has not provided the 6 year service life, Hartford Pines will supply, at its discretion, replacement parts for a charge pro rated on the following basis. The original purchaser will be allowed a credit against the current list price of the replacement part(s) in proportion to the percentage of the warranted service life remaining.

Summarized as follows:

Years 1 – 3 ● Unit parts replaced Free of Charge

Years 4 – 6 ● Credit (\$) = Current List Price x (Months of Remaining Life / 72 Months of Warranted Life)

The Extended Three-Year Warranty does not cover labour or the cost of transport to and from the retailer or the nearest Lincoln Service Centre.

### **Parts not covered by the Extended Three-Year Pro Rated Warranty:**

- All types of tyres used on The Pool Cleaner
- All hoses.

The rights and remedies conferred by this warranty are in addition to those conferred under the Australian Consumer Law.

Our goods come with guarantees that cannot be excluded under the Australian Consumer Law. You are entitled to a replacement or refund for a major failure and compensation for any other reasonably foreseeable loss or damage. You are also entitled to have the goods repaired or replaced if the goods fail to be of acceptable quality and the failure does not amount to a major failure.

### **HOW TO CLAIM**

Complete the form below and return it along with the proof of purchase and the product to the retailer from whom it was purchased or the nearest Lincoln Service Centre.

Contact [sales@linc.com.au](mailto:sales@linc.com.au) for the nearest location.

# STANLEY®

## POOL CLEANER

---

REGISTRATION CARD

LINCOLN WARRANTY CLAIM



Owners Name .....

Address .....

Telephone .....

Model Number ..... Date of Purchase .....

Description of Fault .....

Attach Proof of purchase

**STANLEY®**

**POOL CLEANER**