



MINDER®

Pool | Water Treatment | Spa | Fountain

P series

Fibreglass Media Filters

Durable and affordable with class leading pressure rating at 300kpa.



www.minderpool.com.au





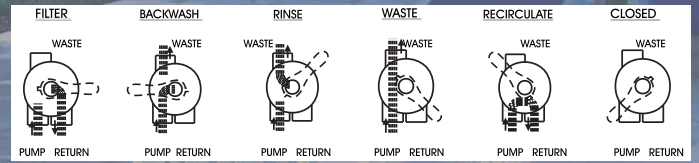
P SERIES

P Series filters are purposely designed for Australian domestic pools. It is simple and easy to install. Components such as oil filled pressure gauge and corrosion free union are the best in its class. P Series is not only economical to purchase but also worry-free to run.

Features and benefits

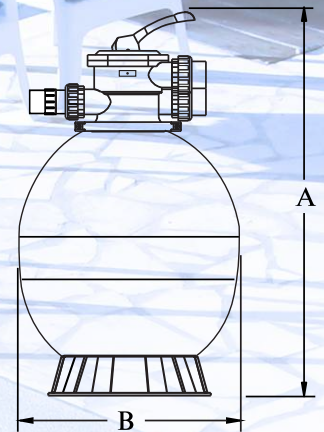
- Dual-layer fibreglass tank, inside and out
- UV resistant body
- 300kpa of maximum working pressure
- User friendly multiport valve with 6 functions

6 functions multi-port valve (MPV)



Specification

Model	Diameter (mm / inch) (B)	Height (mm) (A)	Multi-port Valve Size (mm)	Flow Rate (lpm)	Filter Area (m ²)	Jade Glass Required	
						Coarse	Fine
P18	450 / 18"	800	40	133	0.16	1 bags	1 bags
P21	550 / 21"	840	40	192	0.23	2 bags	3 bags
P25	650 / 25"	960	40	270	0.33	2 bags	4 bags
P28B	700 / 28"	1025	50	320	0.38	3 bags	5 bags
P30	750 / 30"	1050	50	390	0.44	4 bags	6 bags
P32	800 / 32"	1200	50	420	0.50	4 bags	7 bags



250 KPR
NORMAL WORKING PRESSURE

300 KPR
MAX. WORKING PRESSURE

150 HPR
BACK WASHING PRESSURE

700 KPR
FACTORY TESTED

Recommended to work with

JADE GLASS

- Save water;
- Reduce usage of chemical;
- Exceptionally clean;
- 10 years life span;
- Environmental friendly;
- Approved by UK Drinking Water Inspectorate.



Specification

Model	Product	Size range (mm)
JGC	Coarse grade	1.7 - 3.0
JGF	Fine grade	0.75 - 1.7



The above specification is only for reference. Actual product performance may vary due to factors such as temperature, water quality and filter media. Product's colours and specification are subject to change without prior notice.

Authorised Dealer:

Distributed in Australia by
Minder Swimming Pool Equipment Pty Ltd.
www.minderpool.com.au